

## Parts List for:

1642

1643

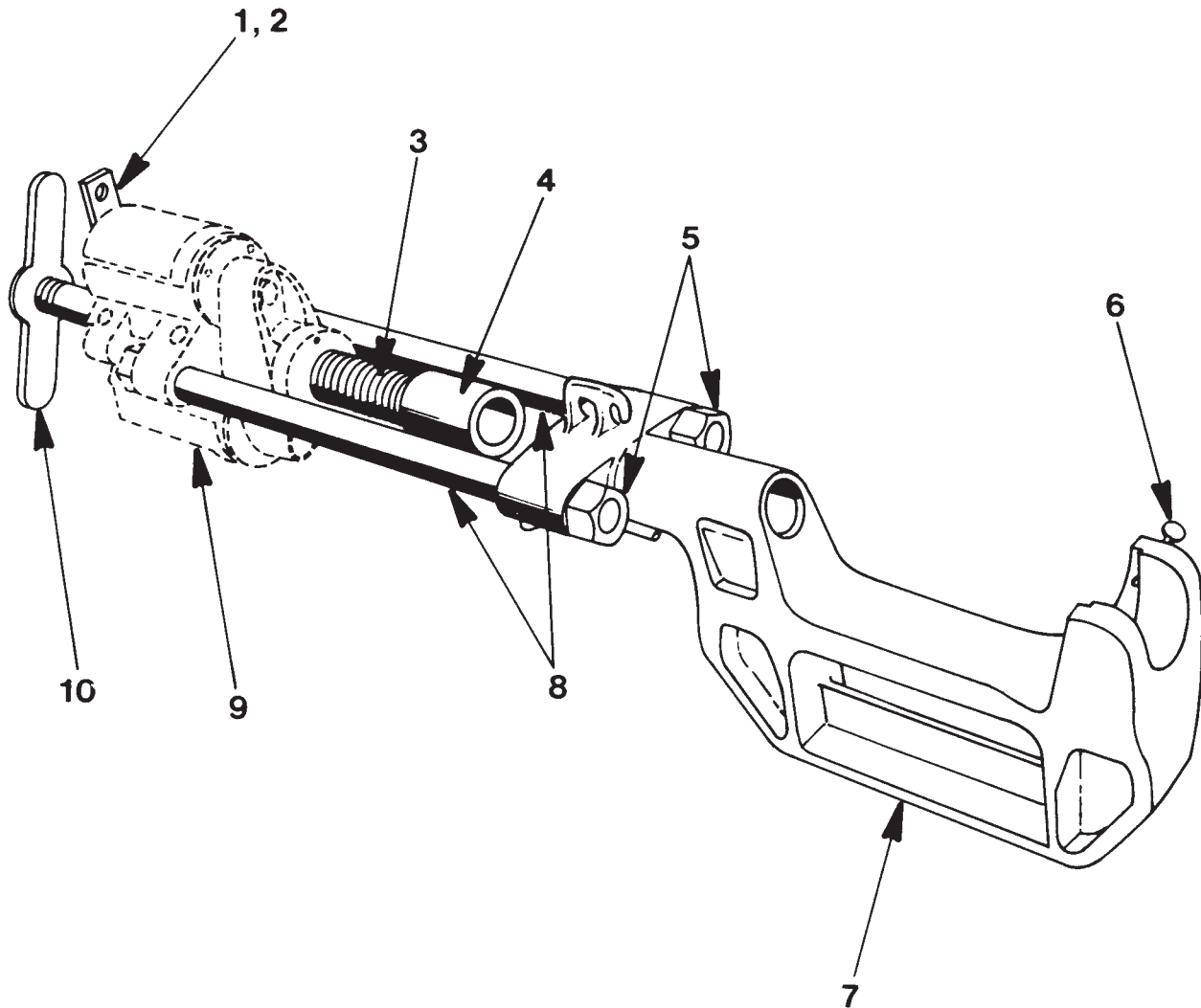
5180-00-460-2177

D01063AA

MPP100

**MASTER PIN PUSHER / INSTALLER**

Max. Capacity: 100 Tons


 To Parts  
 List


Refer to any operating instructions included with the product for detailed information about operation, testing, disassembly, reassembly, and preventive maintenance.

Items found in this parts list have been carefully tested and selected. **Therefore: Use only genuine replacement parts!**

Additional questions can be directed to our Technical Services Department.

# Parts List, Form No. 100516, Back sheet 1 of 1

Item No.	Part No.	No. Req'd	Description
1	24861	1	Lifting Plate
2	12221	1	Hex Hd. Cap Screw (3/4-16 x 1" Lg.)
3	32699	1	Ram Screw (for 1642, MPP100, D01063AA)
4	25545	1	Screw Coupling
5	24021	4	Tie Rod Nut
6	17010	1	Thumb Screw
7	50499-WH2	1	C-frame
8	31781	2	Tie Rod
9	RT1004	1	100 Ton Cylinder (for MPP100)
	4130	1	100 Ton Cylinder (for 1642 & D01063AA)
10	303785	1	Crank (for 1642, MPP100, D01063AA)

### Parts Included but not Shown

25599	2	Hose Half Coupler (for 1642, MPP100, D01063AA)
10492	1	Gauge (for 1642, MPP100, D01063AA)
10645	1	45° Fitting (for mounting gauge to pump)
36888	2	10 ft. Hose (for MPP100)
36887	1	8 ft. Hose (for 1642)
36887	2	8 ft. Hose (for D01063AA)
P460D	1	Hydraulic Pump (for MPP100)
4009	1	Hydraulic Pump (for 1642)
102467	1	Tooling Chart
104741	1	Adapter Modification Chart (for Caterpillar S.A.L.T.)

Item No.	Part No.	No. Req'd	Description
<b>Additional Parts Included with 5180-00-460-2177 &amp; D01063AA</b>			
	25499	1	Forcing Pin (1 <sup>1</sup> / <sub>4</sub> x 9 <sup>3</sup> / <sub>4</sub> " Lg.)
	25500	1	Forcing Pin (1 <sup>3</sup> / <sub>8</sub> x 8 <sup>7</sup> / <sub>16</sub> " Lg.)
	25548	1	Forcing Pin (1 <sup>5</sup> / <sub>8</sub> x 11 <sup>5</sup> / <sub>8</sub> " Lg.)
	25551	1	Forcing Pin (1 <sup>3</sup> / <sub>4</sub> x 11 <sup>3</sup> / <sub>4</sub> " Lg.)
	25502	1	Pin Pin (2 <sup>1</sup> / <sub>4</sub> x 8 <sup>3</sup> / <sub>4</sub> " Lg.)
	33934	1	Forcing Pin (2 <sup>1</sup> / <sub>4</sub> x 17" Lg.)
	33936	1	Forcing Pin (2 <sup>1</sup> / <sub>4</sub> x 20" Lg.)
	33471	1	Pin & Bushing Adapter (2 <sup>1</sup> / <sub>16</sub> I.D.)
	33472	1	Pin & Bushing Adapter (1 <sup>1</sup> / <sub>2</sub> I.D.)
	32437	1	Aligning Adapter (1 <sup>11</sup> / <sub>16</sub> I.D.; for 5180-00-460-2177)
	32441	1	Aligning Adapter (2 <sup>3</sup> / <sub>16</sub> I.D.; for 5180-00-460-2177)
	22751	2	Aligning Bushing (2 <sup>1</sup> / <sub>4</sub> x 1 <sup>13</sup> / <sub>16</sub> x 5/8 wide)
	22749	2	Aligning Bushing (2 <sup>1</sup> / <sub>4</sub> x 2 x 5/8 wide)
	22779	2	Aligning Bushing (2 <sup>1</sup> / <sub>4</sub> x 1 <sup>17</sup> / <sub>32</sub> x 5/8 wide)
	22777	2	Aligning Bushing (2 <sup>1</sup> / <sub>4</sub> x 1 <sup>5</sup> / <sub>8</sub> x 5/8 wide)
	25561	1	Rear Bushing Assembly Plate (3 <sup>7</sup> / <sub>8</sub> pilot dia.; for 5180-00-460-2177)
	25562	1	Rear Bushing Assembly Plate (3 <sup>1</sup> / <sub>4</sub> pilot dia.)
	25563	1	Rear Bushing Assembly Plate (3 <sup>1</sup> / <sub>2</sub> pilot dia.)
	32434	1	Bushing Pusher (13" Lg.)
	25546	1	Bushing Installer (4 <sup>1</sup> / <sub>2</sub> " Lg.)
	22789	1	Aligning Adapter (3 <sup>1</sup> / <sub>4</sub> I.D. x 2" thk.; for 5180-00-460-2177)
	22769	1	Aligning Adapter (2 <sup>3</sup> / <sub>4</sub> I.D.; for D01063AA)
	22787	1	Aligning Adapter (2 <sup>7</sup> / <sub>8</sub> I.D.)
	22771	1	Aligning Adapter (3 <sup>1</sup> / <sub>4</sub> I.D. x 1 <sup>7</sup> / <sub>8</sub> " thk.; for 5180-00-460-2177)
	35199	1	Bushing Remover (14" Lg.; for 5180-00-460-2177)
	208224	1	Support Device for 100 Ton Master Pin Press (for 5180-00-460-2177)

